

**APEXRISE™**

**2026**

# PRODUCT CATALOG



[www.apexrisemarine.com](http://www.apexrisemarine.com)



1-502-228-8881



[ahoy@apexrisemarine.com](mailto:ahoy@apexrisemarine.com)



11500 S. Eastern Ave., Suite 150  
Henderson, NV 89052 USA  
FACTORY: Xiamen, China

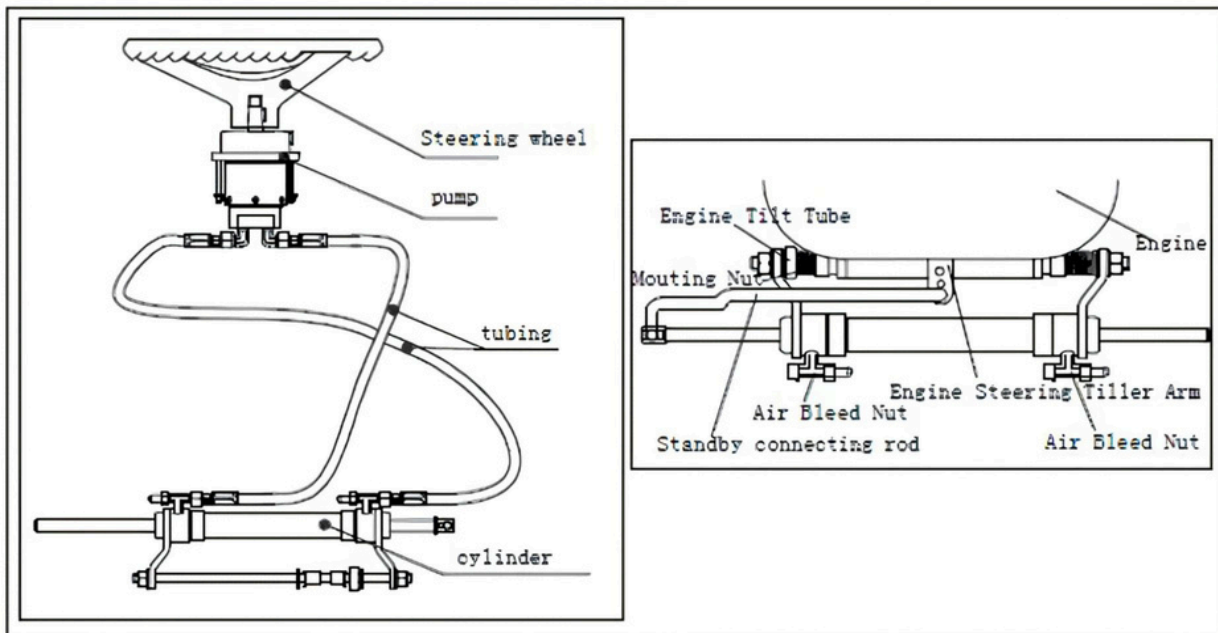
# HYDRAULIC STEERING SERIES

## FOR OUTBOARD

### ARH0090



- STANDARD WHEEL TURNS: 4.4 LOCK-TO-LOCK
- FOR LESS WHEEL TURNS, ASK YOUR DISTRIBUTOR OR MANUFACTURER
- APPLICATION GUIDE-SINGLE ENGINE
- UNIVERALLY FIT ALL OURBOARDS UP TO 90 HP



### STEERING KITS INCLUDES

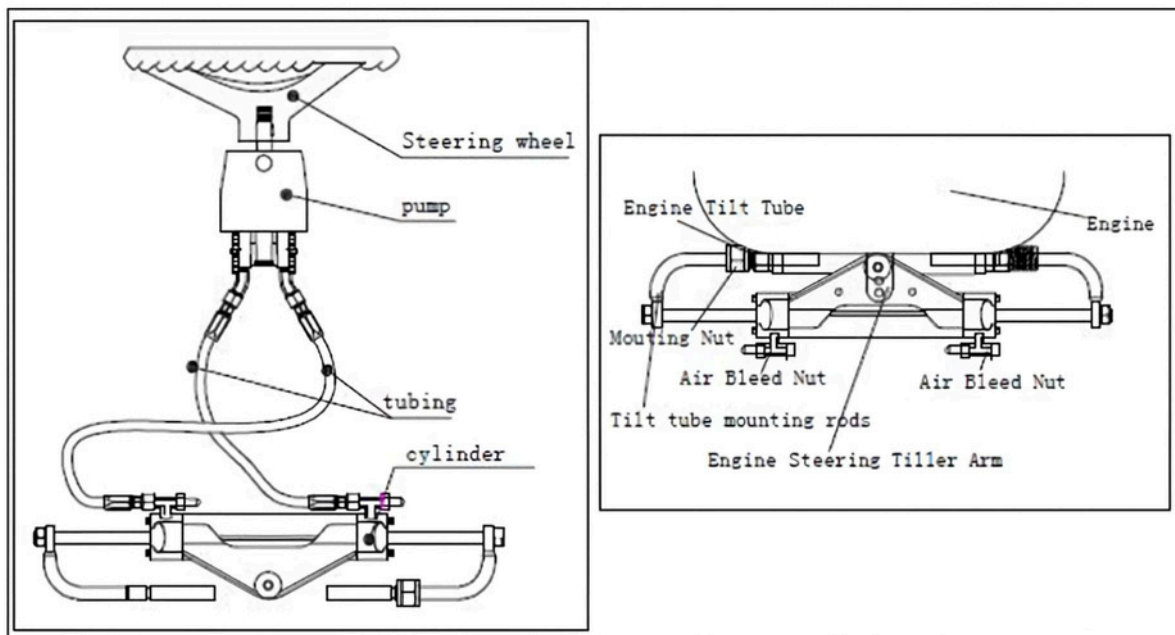
MODEL	DESCRIPTION
WP16NVF HELM PUMP	FRONT MOUNT HELM PUMP 16CC W/O LOCK VALVE
ARH0090 CYLINDER	FRONT MOUNT OUTBOARD CYLINDER FOR ENGINES UP TO 90HP
WQ OIL 10# HYDRAULIC OIL	HYDRAULIC OIL 1 LITER * 2 BAGS
WL 04-SS-08 HYDRAULIC HOSE	HYDRAULIC HOSE 1/4" , 8 METER *2 PCS
ACCESSORIES INCLUDED	HELM PUMP FITTINGS, HELM PUMP MOUNTING HARDWARE KIT, BLEED KIT, BRASS FERRULES
STEERING WHEEL	OPTIONAL

# HYDRAULIC STEERING SERIES

## ARH0300



- STANDARD WHEEL TRNS: 4.4 LOCK-TO-LOCK
- FOR MORE OR LESS WHEEL TRNS, ASK YOUR DISTRIBUTOR OR MANUFACTURER
- APPLICATION GUIDE-SINGLE ENGINE
- UNIVERALLY FIT ALL OUTBOARDS UP TO 150 HP, FOR SOME OLD MACHINES, THERE MIGHT BE INTERFERENCE WITH THE CYLINDER. PLEASE CONTACT YOUR DISTRIBUTOR OR MANUFACTURER FOR ASSISTANCE (NEED ADDITIONAL SPACERS OR DIFFERENT PIVOT PLATE)



### STEERING KITS INCLUDES

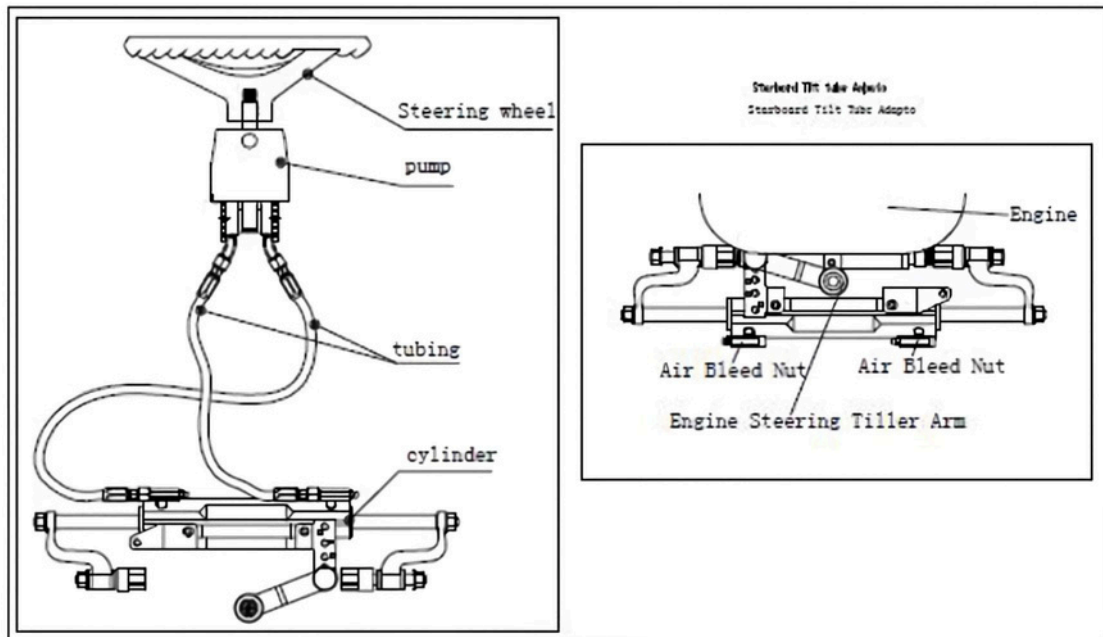
MODEL	DESCRIPTION
WP 22F OR WP 27F OR WP 33F OR WP 39F	FRONT MOUNT HELM PUMP 22CC OR 27CC OR 33CC OR 39CC WITH BUILD-IN RELIEF&LOCK VALVE
ARH0300 CYLINDER	FRONT MOUNT OUTBOARD CYLINDER FOR ENGINES UP TO 150HP
WQ OIL 10# HYDRAULIC OIL	HYDRAULIC OIL 1 LITER * 2 BAGS
WL 06-SS-08 HYDRAULIC HOSE	HYDRAULIC HOSE 5/16" , 8 METER *2 PCS
ACCESSORIES INCLUDED	HELM PUMP FITTINGS, HELM PUMP MOUNTING HARDWARE KIT, BLEED KIT
STEERING WHEEL	OPTIONAL

# HYDRAULIC STEERING SERIES

## ARH0350V1



- STANDARD WHEEL TURNS: 5.2 LOCK-TO-LOCK
- FOR LESS WHEEL TURNS, ASK YOUR DISTRIBUTOR OR MANUFACTURER
- APPLICATION GUIDE-SINGLE ENGINE
- UNIVERALLY FIT ALL OUTBOARDS UP TO 350 HP, FOR MERCURY AND HONDA, NEED DIFFERENT TILLER TUBE ADAPTORS



### STEERING KITS INCLUDES

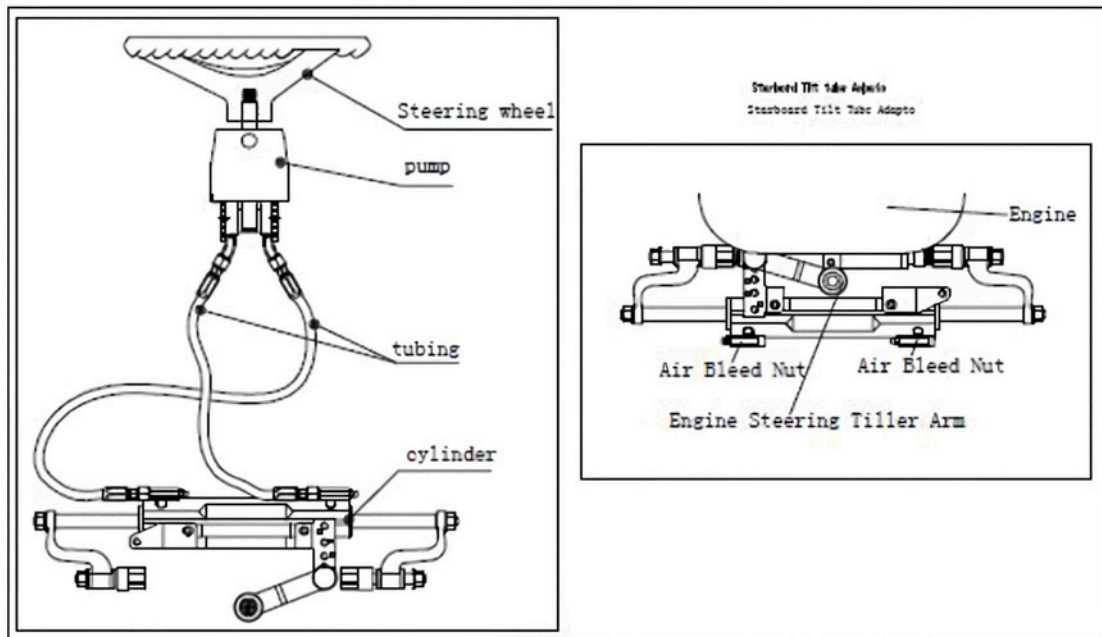
MODEL	DESCRIPTION
WP 22F OR WP 27F OR WP 33F OR WP 39F	FRONT MOUNT HELM PUMP 22CC OR 27CC OR 33CC OR 39CC WITH BUILD-IN RELIEF&LOCK VALVE
ARH0350V1 CYLINDER	FRONT MOUNT OUTBOARD CYLINDER FOR ENGINES UP TO 350HP
WQ OIL 10# HYDRAULIC OIL	HYDRAULIC OIL 1 LITER * 2 BAGS
WL 08-55-08 HYDRAULIC HOSE	HYDRAULIC HOSE 3/8" , 8 METER *2 PCS
ACCESSORIES INCLUDED	HELM PUMP FITTINGS, HELM PUMP MOUNTING HARDWARE KIT, BLEED KIT
STEERING WHEEL	OPTIONAL

# HYDRAULIC STEERING SERIES

## ARH0350V2



- STANDARD WHEEL TURNS: 5.2 LOCK-TO-LOCK
- FOR LESS WHEEL TURNS, ASK YOUR DISTRIBUTOR OR MANUFACTURER
- APPLICATION GUIDE-SINGLE ENGINE
- UNIVERALLY FIT ALL OUTBOARDS UP TO 350 HP



### STEERING KITS INCLUDES

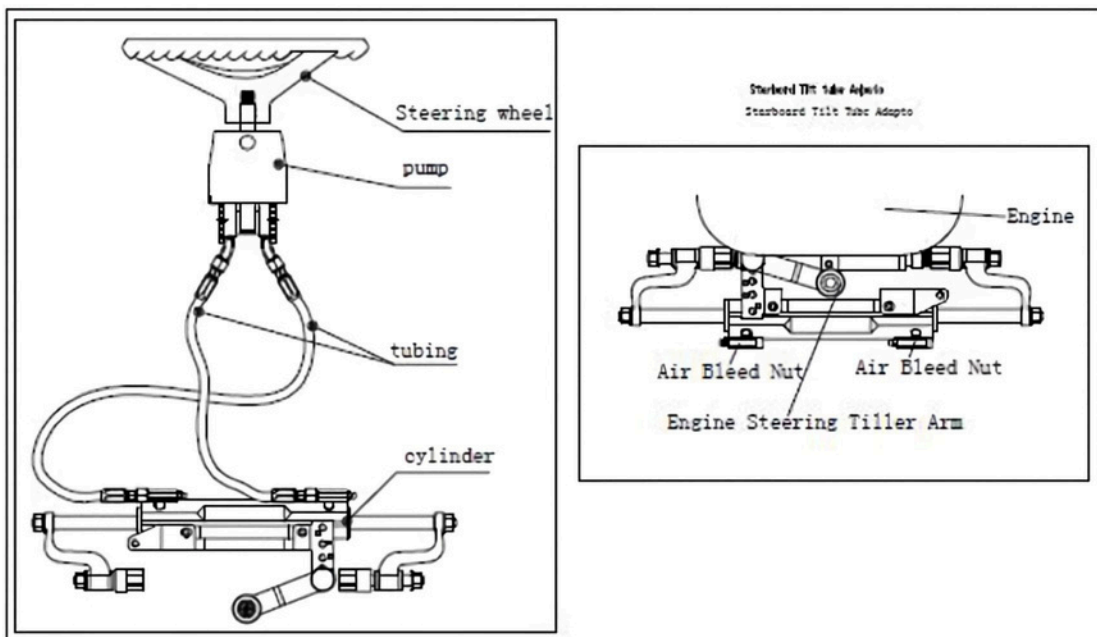
MODEL	DESCRIPTION
WP 22F OR WP 27F OR WP 33F OR WP 39F	FRONT MOUNT HELM PUMP 22CC OR 27CC OR 33CC OR 39CC WITH BUILD-IN RELIEF&LOCK VALVE
ARH0350V2 CYLINDER	FRONT MOUNT OUTBOARD CYLINDER FOR ENGINES UP TO 350HP
WQ OIL 10# HYDRAULIC OIL	HYDRAULIC OIL 1 LITER * 2 BAGS
WL 08-SS-08 HYDRAULIC HOSE	HYDRAULIC HOSE 3/8" , 8 METER *2 PCS
ACCESSORIES INCLUDED	HELM PUMP FITTINGS, HELM PUMP MOUNTING HARDWARE KIT, BLEED KIT
STEERING WHEEL	OPTIONAL

# HYDRAULIC STEERING SERIES

## ARH0700



- APPLICATION GUIDE-SINGLE ENGINE
- UNIVERALLY FIT ALL OUTBOARDS UP TO 700 HP



### STEERING KITS INCLUDES

MODEL	DESCRIPTION
WP 33F OR WP 39F	FRONT MOUNT HELM PUMP 33CC OR 39CC WITH BUILD-IN RELIEF&LOCK VALVE
ARH0700 CYLINDER	FRONT MOUNT OUTBOARD CYLINDER FOR ENGINES UP TO 700HP
WQ OIL 10# HYDRAULIC OIL	HYDRAULIC OIL 1 LITER * 2 BAGS
WL 08-SS-08 HYDRAULIC HOSE	HYDRAULIC HOSE 3/8" , 8 METER *2 PCS
ACCESSORIES INCLUDED	HELM PUMP FITTINGS, HELM PUMP MOUNTING HARDWARE KIT, BLEED KIT
STEERING WHEEL	OPTIONAL

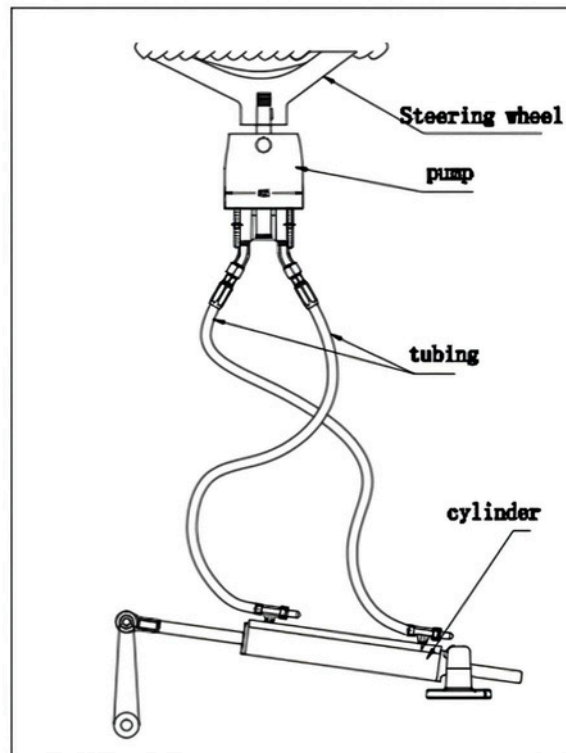
# HYDRAULIC STEERING SERIES

## FOR INBOARD

### ARHIN01



- STANDARD WHEEL TURNS: 4 LOCK-TO-LOCK
- APPLICATION GUIDE: FOR BOATS UP TO 12 METERS



### STEERING KITS INCLUDES

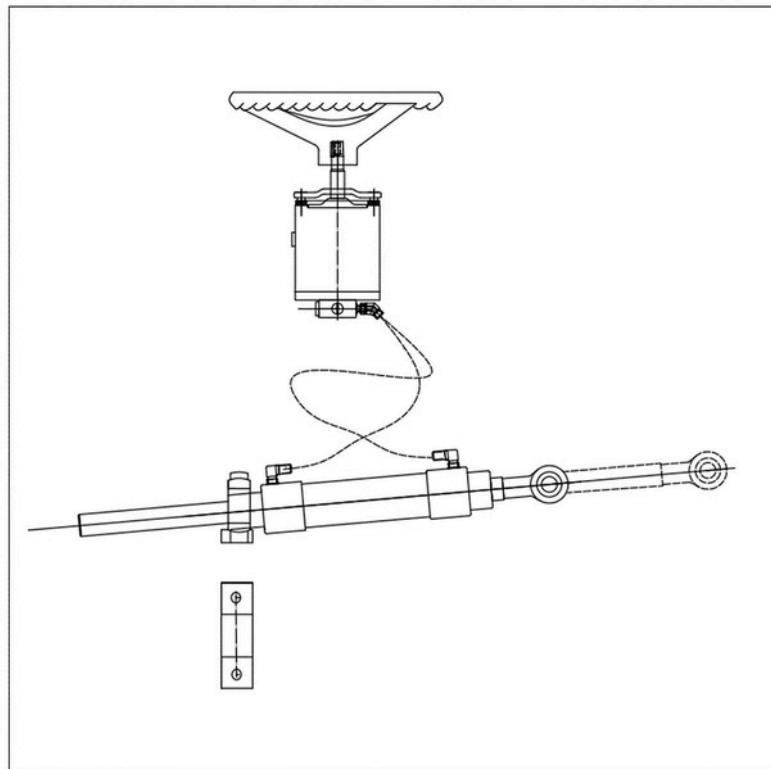
MODEL	DESCRIPTION
WP 22F OR WP 27F OR WP 33F OR WP 39F	FRONT MOUNT HELM PUMP 22CC OR 27CC OR 33CC OR 39CC WITH BUILD-IN RELIEF&LOCK VALVE
ARHIN01 CYLINDER	SINGLE STRAIGHT CYLINDER
WQ OIL 10# HYDRAULIC OIL	HYDRAULIC OIL 1 LITER * 2 BAGS
WL 06-SS-08 HYDRAULIC HOSE	HYDRAULIC HOSE 5/16" , 8 METER *2 PCS
ACCESSORIES INCLUDED	HELM PUMP FITTINGS, HELM PUMP MOUNTING HARDWARE KIT, BLEED KIT
STEERING WHEEL	OPTIONAL

# HYDRAULIC STEERING SERIES

## ARH0450L



- STANDARD WHEEL TURNS: 6.8 LOCK-TO-LOCK
- APPLICATION GUIDE: FOR BOATS UP TO 15 METERS



### STEERING KITS INCLUDES

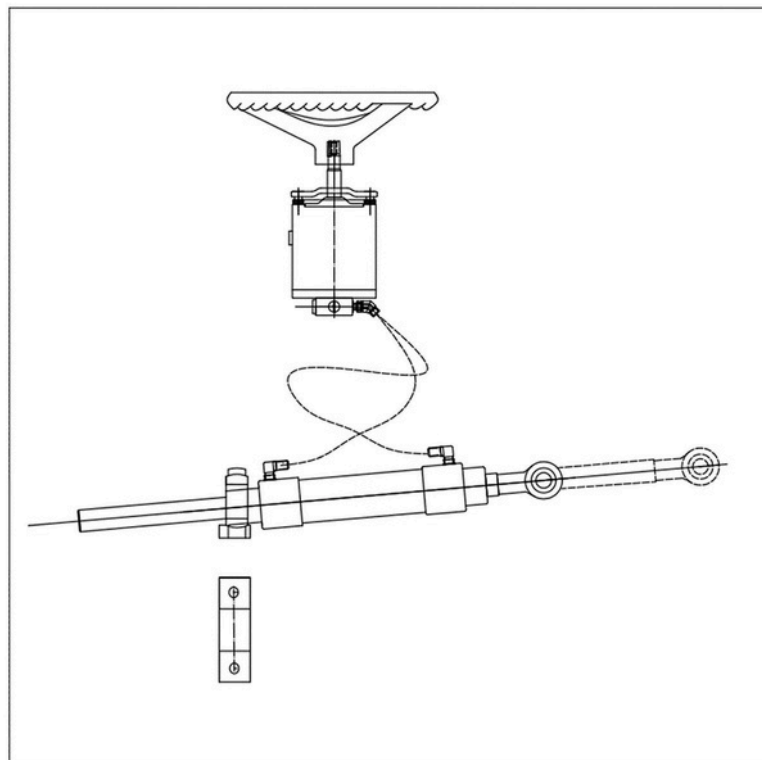
MODEL	DESCRIPTION
WP 22F OR WP 27F OR WP 33F OR WP 39F	FRONT MOUNT HELM PUMP 22CC OR 27CC OR 33CC OR 39CC WITH BUILD-IN RELIEF&LOCK VALVE
ARH0450 CYLINDER	SIDE MOUNT OUTBOARD CYLINDER, UNBALANCED
WQ OIL 10# HYDRAULIC OIL	HYDRAULIC OIL 2 LITER * 2 BAGS
WL 08-SS-08 HYDRAULIC HOSE	HYDRAULIC HOSE 3/8" , 8 METER *2 PCS
ACCESSORIES INCLUDED	HELM PUMP FITTINGS, HELM PUMP MOUNTING HARDWARE KIT, BLEED KIT
STEERING WHEEL	OPTIONAL

# HYDRAULIC STEERING SERIES

## ARH0450H



- STANDARD WHEEL TURNS: 4 LOCK-TO-LOCK
- APPLICATION GUIDE: FOR BOATS UP TO 15 METERS

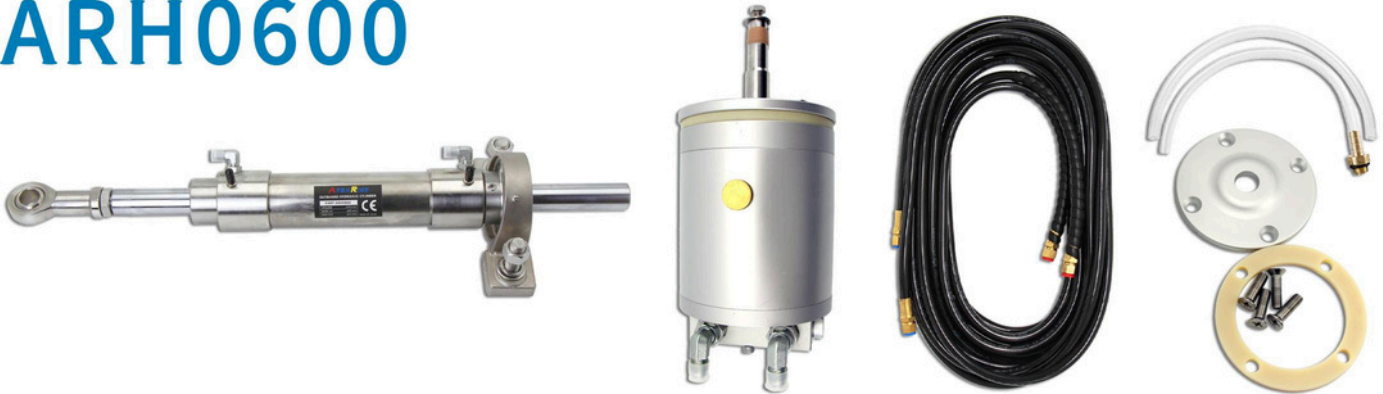


### STEERING KITS INCLUDES

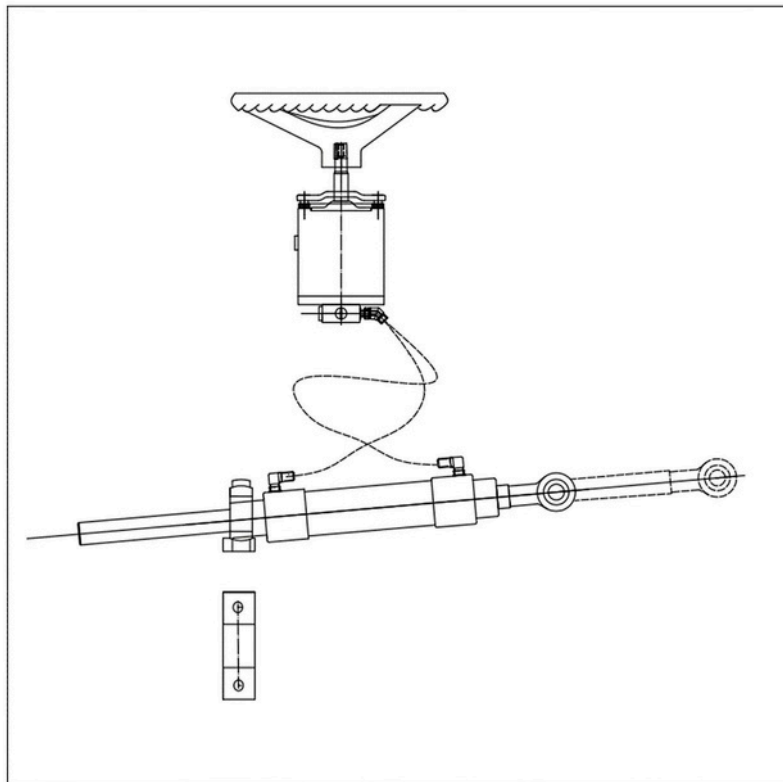
MODEL	DESCRIPTION
WP 45F	FRONT MOUNT HELM PUMP 45CC WITH BUILD-IN RELIEF&LOCK VALVE
ARH0450 CYLINDER	SIDE MOUNT OUTBOARD CYLINDER, UNBALANCED
WQ OIL 10# HYDRAULIC OIL	HYDRAULIC OIL 2 LITER * 2 BAGS
WL 08-SS-08 HYDRAULIC HOSE	HYDRAULIC HOSE 3/8" , 8 METER *2 PCS
ACCESSORIES INCLUDED	HELM PUMP FITTINGS, HELM PUMP MOUNTING HARDWARE KIT, BLEED KIT
STEERING WHEEL	OPTIONAL

# HYDRAULIC STEERING SERIES

## ARH0600



- STANDARD WHEEL TURNS: 9.5 LOCK-TO-LOCK
- APPLICATION GUIDE: FOR BOATS UP TO 27 METERS



### STEERING KITS INCLUDES

MODEL	DESCRIPTION
WP 45F OR WP45-88F	FRONT MOUNT HELM PUMP 45CC OR ADJUSTABLE DISPLACEMENT FROM 45-88CC WITH BUILD-IN RELIEF&LOCK VALVE
ARH0600 CYLINDER	SIDE MOUNT OUTBOARD CYLINDER, UNBALANCED
WQ OIL 10# HYDRAULIC OIL	HYDRAULIC OIL 2 LITER * 2 BAGS
WL 08-SS-08 HYDRAULIC HOSE	HYDRAULIC HOSE 3/8" , 8 METER *2 PCS
ACCESSORIES INCLUDED	HELM PUMP FITTINGS, HELM PUMP MOUNTING HARDWARE KIT, BLEED KIT
STEERING WHEEL	OPTIONAL

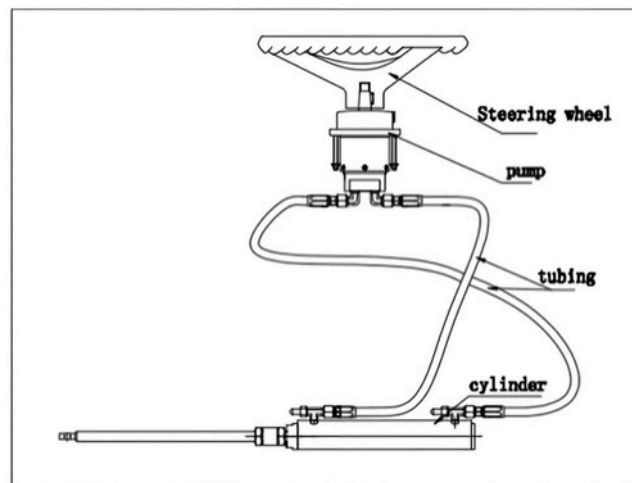
# HYDRAULIC STEERING SERIES

## FOR STERN DRIVE

### ARHSD01



- STANDARD WHEEL TURNS: 5 LOCK-TO-LOCK
- APPLICATION GUIDE-SINGLE ENGINE



### APPLICABLE STERN DRIVE-POWER ASSIST

MAKER	MODEL
MERCURISER	MERCURISER 1 , ALPHA , BRAVO ONE , BRAVO TWO
VOLVO	280 , 290 , DP-S
BMW	ALL
OMC	COBRA , KONG COBRA
YAMAHA	POWER ASSIST ALL

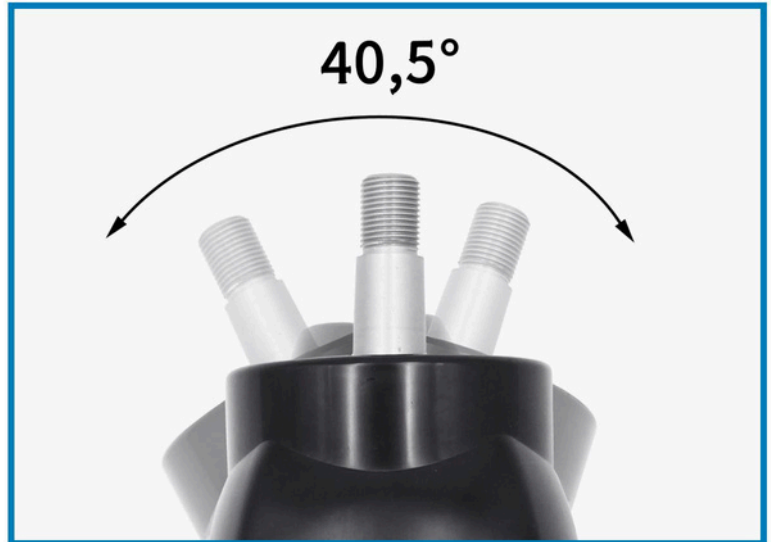
### STEERING KITS INCLUDES

MODEL	DESCRIPTION
WP 22F OR WP 27F OR WP 33F OR WP 39F	FRONT MOUNT HELM PUMP 22CC OR 27CC OR 33CC OR 39CC WITH BUILD-IN RELIEF&LOCK VALVE
ARHSD01 CYLINDER	SIDE MOUNT OUTBOARD CYLINDER, UNBALANCED
WQ OIL 10# HYDRAULIC OIL	HYDRAULIC OIL 1 LITER * 2 BAGS
WL 06-SS-08 HYDRAULIC HOSE	HYDRAULIC HOSE 5/16" , 8 METER *2 PCS
ACCESSORIES INCLUDED	HELM PUMP FITTINGS, HELM PUMP MOUNTING HARDWARE KIT, BLEED KIT
STEERING WHEEL	OPTIONAL

# HYDRAULIC STEERING SERIES

## COMPONENTS

### WP TILT PUMP



- Integral Air Pocket
- Integral Relief Valve
- Replaceable Shaft Seal
- 3/4in Tapered Shaft
- O-ring (ORB) Fittings

SYSTEM MODEL	DISPLACEMENT		LOCK VALVE
	CC/REV	CU.IN/REV	
WP 18F	18	1.09	BUILT-IN
WP 22F	22	1.34	
WP 27F	27	1.66	
WP 45F	45	2.74	

# OUTBOARD JACK PLATES

## HYDRAULIC JACK PLATE JPH1500



### PRODUCT FEATURES:

- Zero-leakage design
- Manual release valve included
- Equipped with sacrificial anode anti-corrosion block

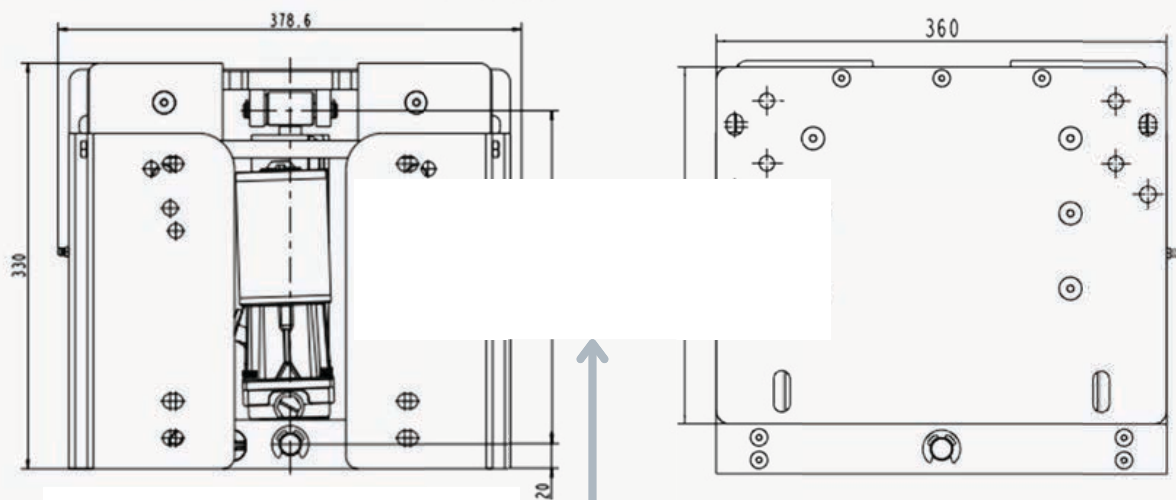
### COMPATIBLE BRANDS:

Mercury, Yamaha, Suzuki, Honda, Tohatsu, Haide, Canglong, Hangkai and other global mainstream outboard motor brands

### Technical Specifications:

Applicable HP	Operating Voltage	Lifting Height	Plate Thickness	Pre-drilled Hole
10 - 150 HP	12 V	170 mm	15 mm	12 mm

### DIMENSIONAL PARAMETERS:



# OUTBOARD JACK PLATES

## JPH3000



### PRODUCT FEATURES:

- Zero-leakage design
- Manual release valve included
- Equipped with sacrificial anode anti-corrosion block

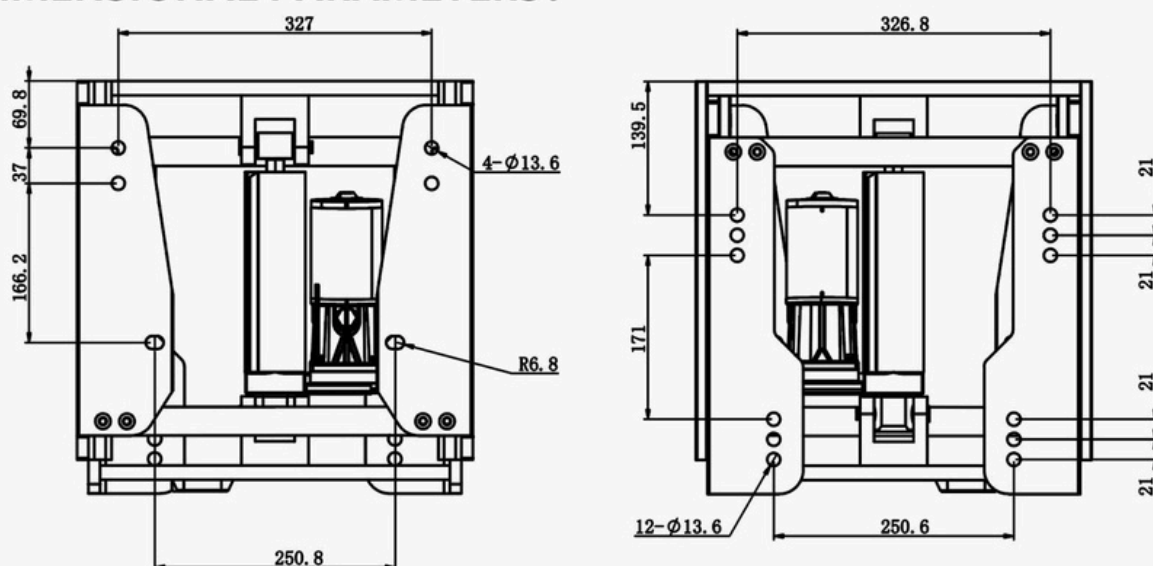
### COMPATIBLE BRANDS:

Mercury, Yamaha, Suzuki, Honda, Tohatsu, Haide, Canglong, Hangkai and other global mainstream outboard motor brands

### Technical Specifications:

Applicable HP	Operating Voltage	Lifting Height	Plate Thickness	Pre-drilled Hole
10 - 250 HP	12 V	170 mm	12 mm	12 mm

### DIMENSIONAL PARAMETERS:



# OUTBOARD JACK PLATES

## JPH3500



### PRODUCT FEATURES:

- Zero-leakage design
- Manual release valve included
- Equipped with sacrificial anode anti-corrosion block

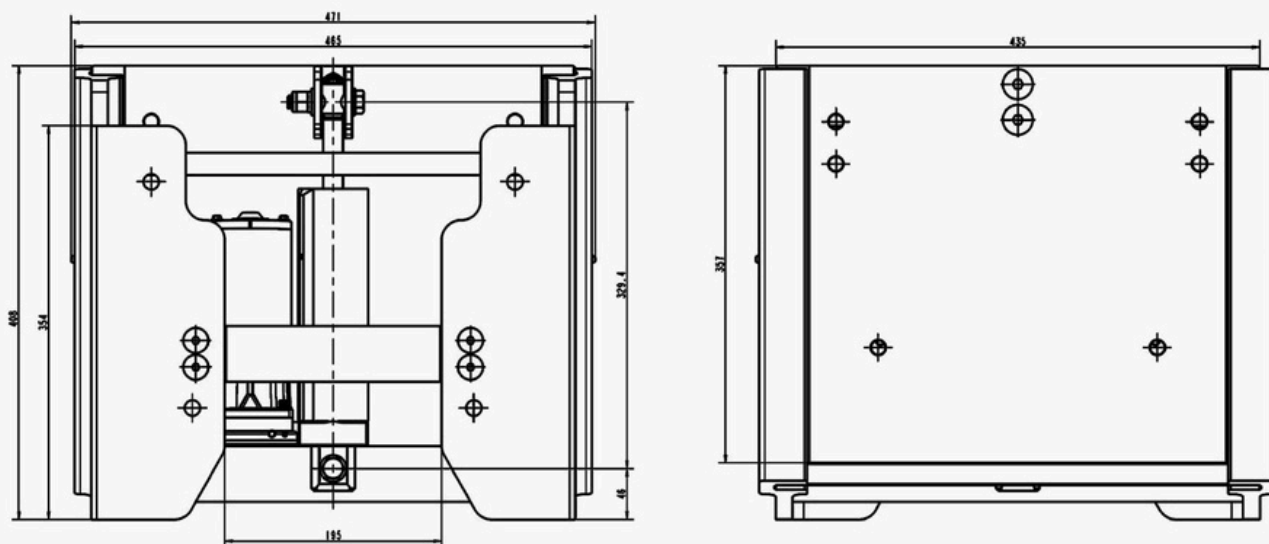
### COMPATIBLE BRANDS:

Mercury, Yamaha, Suzuki, Honda, Tohatsu, Haide, Canglong, Hangkai and other global mainstream outboard motor brands

### Technical Specifications:

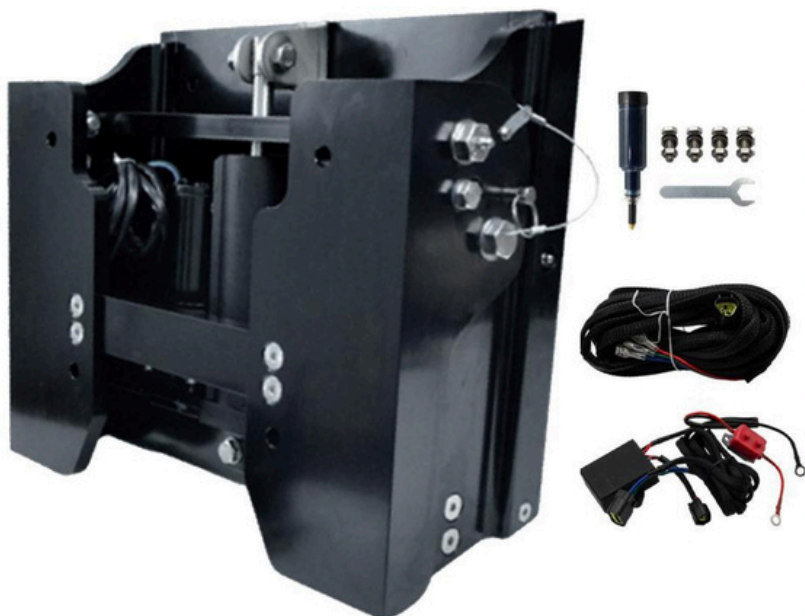
Applicable HP	Operating Voltage	Lifting Height	Plate Thickness	Pre-drilled Hole
10 - 350 HP	12 V	155 mm	15 mm	12 mm

### DIMENSIONAL PARAMETERS:



# OUTBOARD JACK PLATES

## JPH3500K



### PRODUCT FEATURES:

- Zero-leakage design
- Manual release valve included
- Equipped with sacrificial anode anti-corrosion block
- Adjustable Tilt Angle: 0° ~ 30°

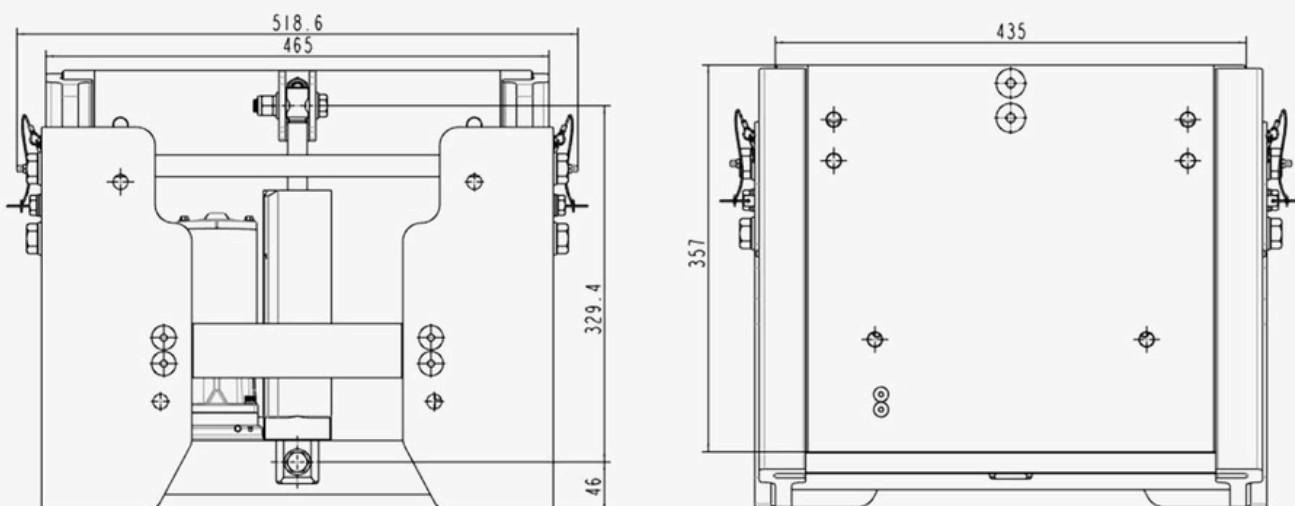
### COMPATIBLE BRANDS:

Mercury, Yamaha, Suzuki, Honda, Tohatsu, Haide, Canglong, Hangkai and other global mainstream outboard motor brands

### Technical Specifications:

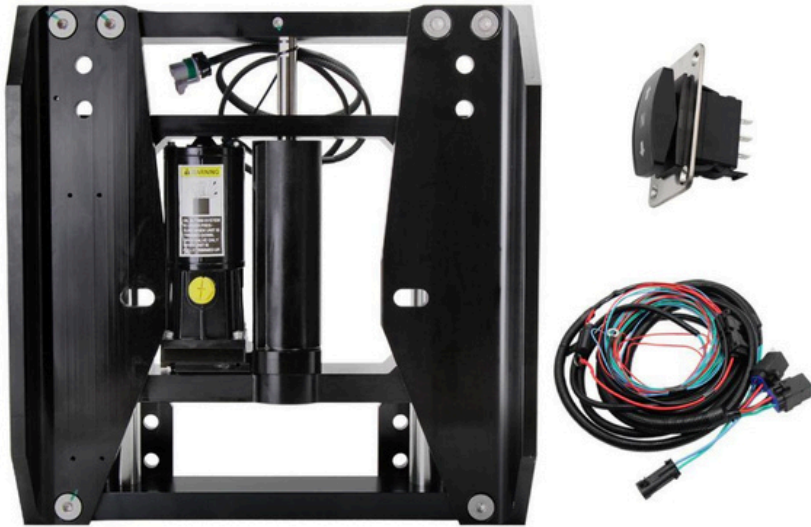
Applicable HP	Operating Voltage	Lifting Height	Plate Thickness	Pre-drilled Hole
10 - 350 HP	12 V	155 mm	15 mm	12 mm

### DIMENSIONAL PARAMETERS:



# OUTBOARD JACK PLATES

## JPH6000



### PRODUCT FEATURES:

- Zero-leakage design
- Manual release valve included
- Equipped with sacrificial anode anti-corrosion block

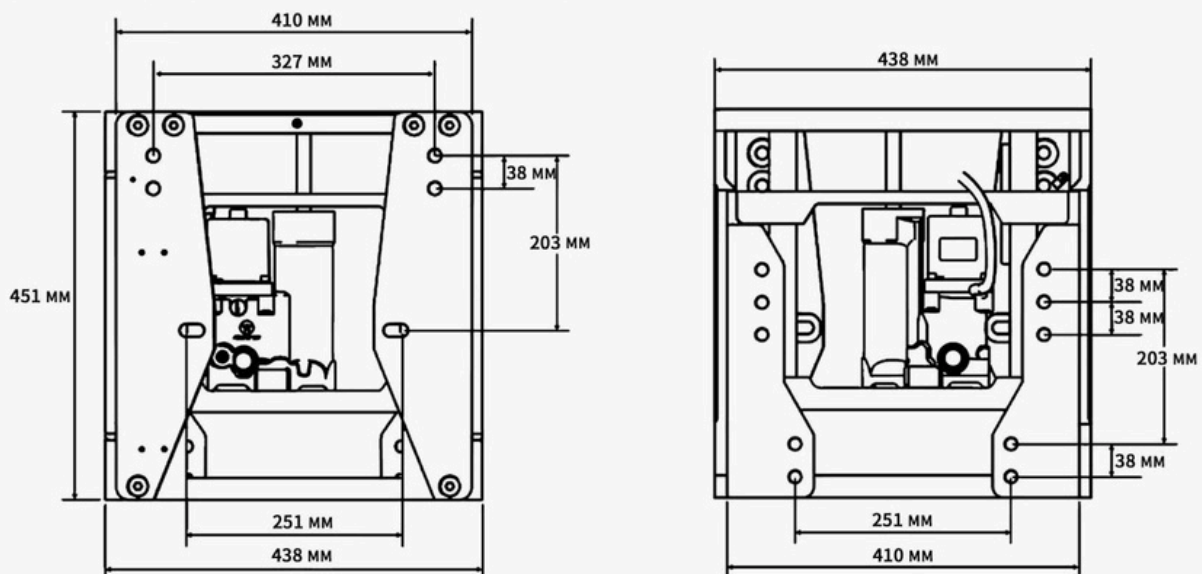
### COMPATIBLE BRANDS:

Mercury, Yamaha, Suzuki, Honda, Tohatsu, Haide, Canglong, Hangkai and other global mainstream outboard motor brands

### Technical Specifications:

Applicable HP	Operating Voltage	Lifting Height	Plate Thickness	Pre-drilled Hole
115 - 600 HP	12 V	140 mm	15 mm	16 mm

### DIMENSIONAL PARAMETERS:



# OUTBOARD JACK PLATES

## JPM5400/5600/5800



**APPLICABLE HORSEPOWER:**  
60HP / 150HP / 250HP

### PRODUCT FEATURES:

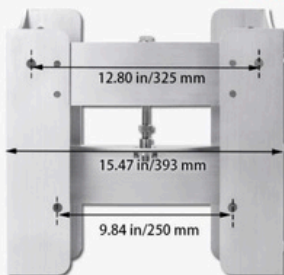
- Manual Lifting
- Heavy-duty Screw
- Lifting Stroke: 127 mm

### COMPATIBLE BRANDS:

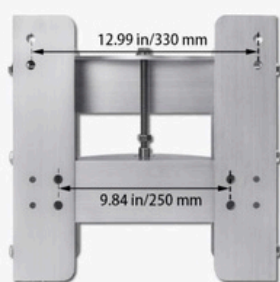
Mercury, Yamaha, Suzuki, Honda, Tohatsu, Haide, Canglong, Hangkai and other global mainstream outboard motor brands

### PRODUCT DETAILS:

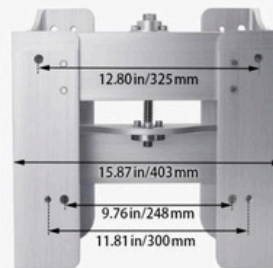
#### JPM5400



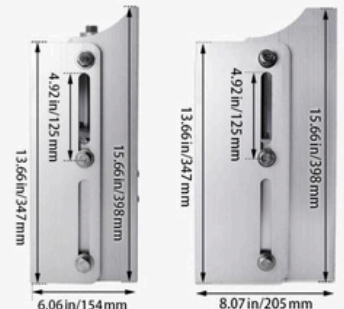
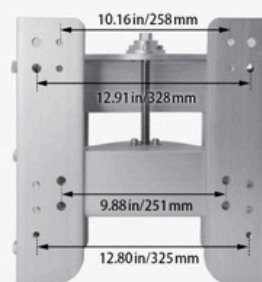
Panel thickness 0.24"/ 6 mm  
(Error within 0.5mm/0.02" is considered normal)



#### JPM5600 & JPM5800



Panel thickness 0.39"/ 10 mm  
(Error within 0.5mm/0.02" is considered normal)



# OUTBOARD JACK PLATES

## F2001G

### ELECTRIC HYDRAULIC POWER TILT & TRIM SET



**APPLICABLE HORSEPOWER:**  
10 - 90 HP

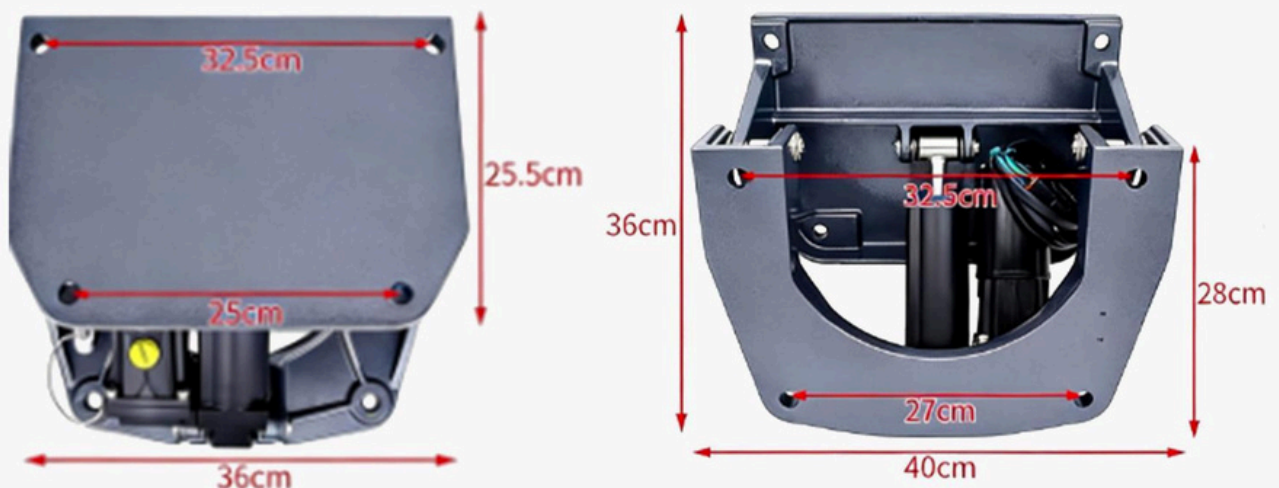
#### PRODUCT FEATURES:

- Zero-leakage design
- Shock absorption function
- Equipped with manual release valve
- High-pressure fine adjustment function
- Comes with anode anti-corrosion protection block

#### COMPATIBLE BRANDS:

Mercury, Yamaha, Suzuki, Honda, Parsun, Haide, Canglong, Hangkai and other global mainstream outboard motor brands

#### Dimensional Parameters:



# OUTBOARD JACK PLATES

## POWER TRIM ASSEMBLY F4001A



### PRODUCT FEATURES:

- Zero-leakage design
- Shock absorption function
- Equipped with manual release valve
- High-pressure fine adjustment function
- Comes with anode anti-corrosion protection block

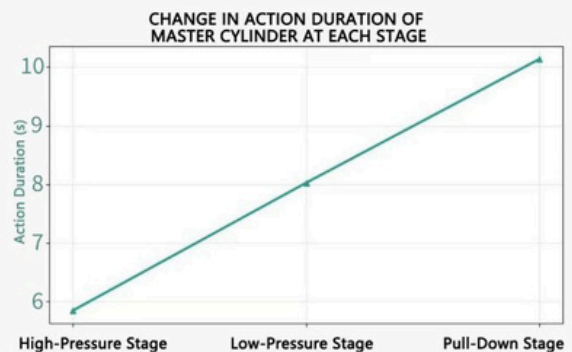
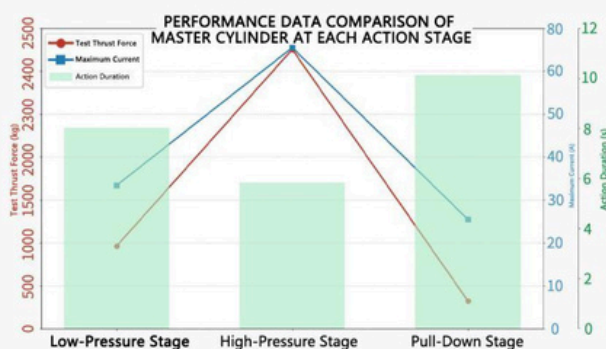
### COMPATIBLE MODELS:

- Yamaha 2-Stroke 25-40 HP
- Yamaha 4-Stroke 20-45 HP
- Yamaha 4-Stroke 25-40 HP

### COMPATIBLE OEM MODELS:

65W-43800-01-4D / 65W-43800-02-4D / 65W-43800-03-4D / 65W-43800-20-4D  
65W-43800-21-4D / 65W-43800-22-8D / 65W-43800-21-4D / 65W-43800-23-8D  
65W-43800-24-8D / 67C-43800-00-4D / 67C-43800-01-4D / 67C-43800-01-8D  
67 C-43800-10-8D / 67C-43800-11-8D / 67C-43800-12-8D / 67C-43800-13-8D

### MASTER CYLINDER PERFORMANCE TABLE:



# OUTBOARD JACK PLATES

## F6001A



### PRODUCT FEATURES:

- Zero-leakage design
- Shock absorption function
- Equipped with manual release valve
- High-pressure fine adjustment function
- Comes with anode anti-corrosion protection block

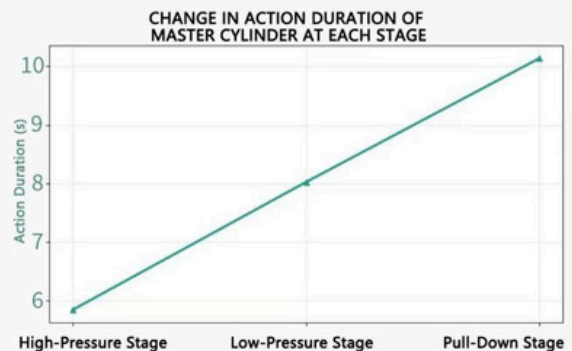
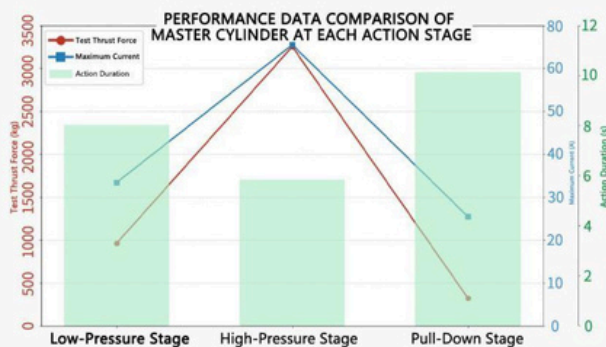
### COMPATIBLE MODELS:

- Mercury 2-Stroke 55-60 HP
- Mercury 4-Stroke 35-60 HP
- Mercury 4-Stroke 30 HP

### COMPATIBLE OEM MODELS:

855654T4 / 8M0055011 / 893517T01 / 855654T08 / 855654T09

### MASTER CYLINDER PERFORMANCE TABLE:



# OUTBOARD JACK PLATES

## F6001B



### PRODUCT FEATURES:

- Zero-leakage design
- Shock absorption function
- Equipped with manual release valve
- High-pressure fine adjustment function
- Comes with anode anti-corrosion protection block

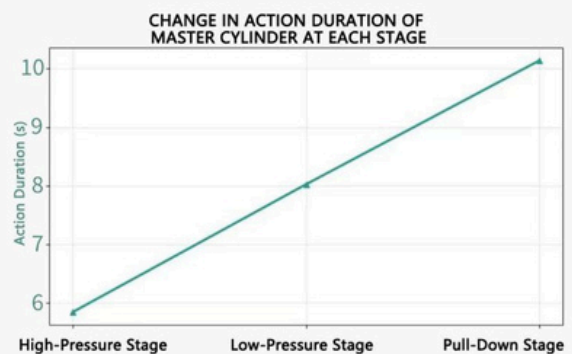
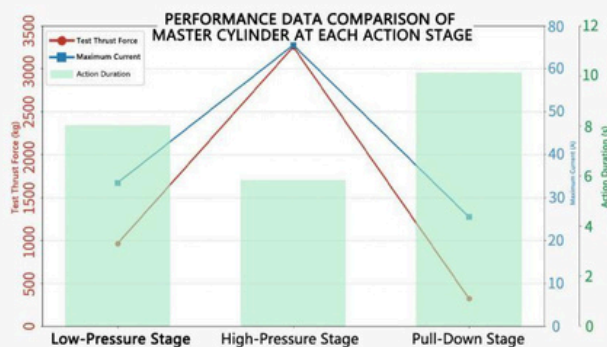
### COMPATIBLE MODELS:

- Yamaha 4-Stroke 40-60 HP
- Yamaha 4-Stroke 40-70 HP
- Yamaha 4-Stroke 60 HP

### COMPATIBLE OEM MODELS:

6C5-43800-00-4D / 6C5-43800-01-4D / 6C5-43800-10-8D / 6C5-43800-11  
6C5-43800-01-8D / 6C5-43800-04-4D / 6C5-43800-12 / 69W-43800-00-4D  
6CJ-43800-00-8D / 6CJ-43800-10-8D / 6CJ-43800-11-8D / 6CJ-43800-12-8D  
69W-43800-00-8D / 69W-43800-10-8D / 6CJ-43800-13-8D / 6C5-43800-13

### MASTER CYLINDER PERFORMANCE TABLE:



# OUTBOARD JACK PLATES

## F6001C



### PRODUCT FEATURES:

- Zero-leakage design
- Shock absorption function
- Equipped with manual release valve
- High-pressure fine adjustment function
- Comes with anode anti-corrosion protection block

### COMPATIBLE MODELS:

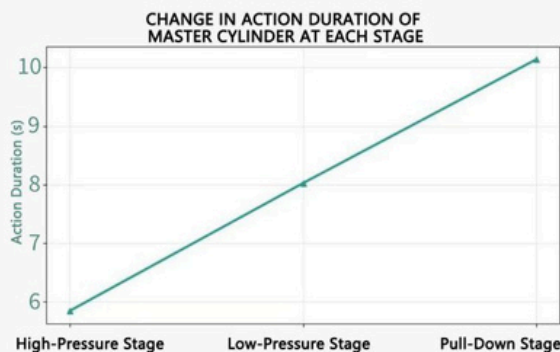
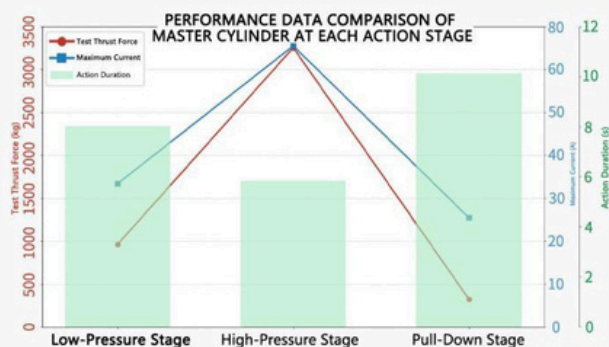
- Mercury 4-Stroke 75-115 HP
- Mercury 4-Stroke 75-125 HP

### COMPATIBLE OEM MODELS:

8M0090335 / 8M0171818 (NEW VERSION)

898447T1 / 830250T5 (OLD VERSION)

### MASTER CYLINDER PERFORMANCE TABLE:



# OUTBOARD JACK PLATES

## F11501A



### PRODUCT FEATURES:

- Zero-leakage design
- Shock absorption function
- Equipped with manual release valve
- High-pressure fine adjustment function
- Comes with anode anti-corrosion protection block

### COMPATIBLE MODELS:

- Mercury 4-Stroke 75-115 HP
- Mercury 4-Stroke 75-125 HP

### COMPATIBLE OEM MODELS:

898447T1 / 830250T5 (OLD VERSION)  
8M0090335 / 8M0171818 (OLD VERSION)

### MASTER CYLINDER PERFORMANCE TABLE:

